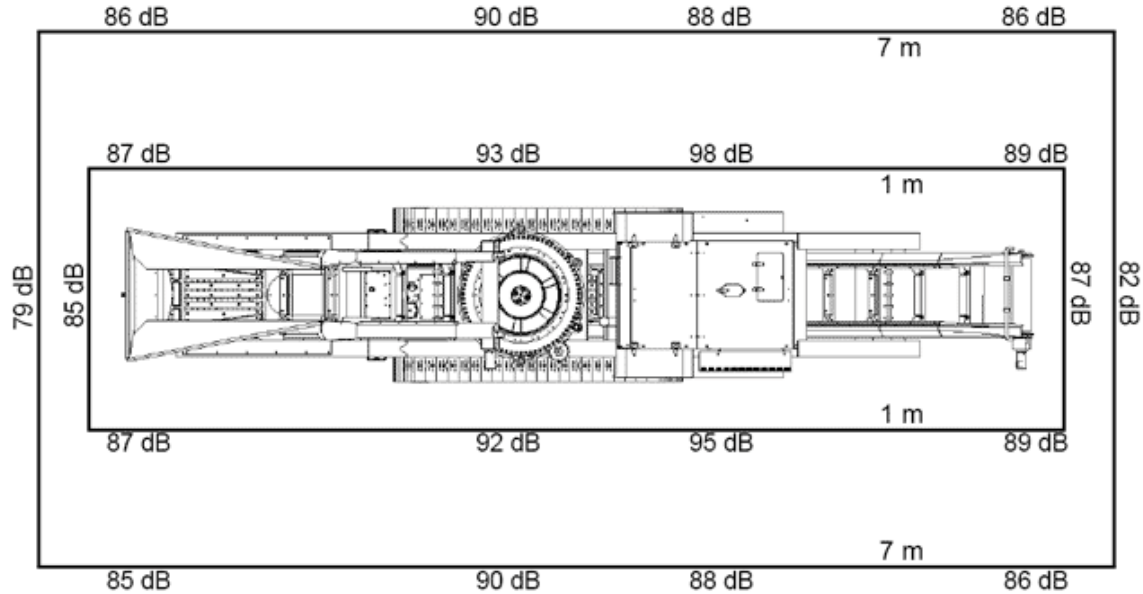


SPECIFICATIONS SHEET – EXTEC X44-SBS CONE CRUSHER	
Cone	Telsmith X44 SBS
Crusher speed	672rpm
Drive	Hydraulic
Hopper volume	3m <sup>3</sup>
Hopper belt	1000mm (3' 2")
Feeder width	2301mm (7' 5")
Feeder length	3092mm (10' 1")
Transport length	14838.6mm (48' 8")
Transport width	2870mm (9' 4")
Transport height	3831mm (12' 7")
Working length	14800mm (48' 7")
Working width	2870mm (9' 2")
Working height	4500mm (14' 7")
Weight	46,000kg (105 280lbs)
CAT C-13 Diesel Engine	328kW (440hp)

BASIC DATA	
<b>CRUSHER</b>	
Cone	Telsmith X44 SBS
Crusher speed	672rpm
Drive	Hydraulic
<b>FEEDER</b>	
Hopper belt	1000mm (3' 2")
Feeder width	2301mm (7' 5")
Belt Feeder length	3092mm (10' 1")
<b>DIMENSIONS</b>	
Transport Length	14838.6mm (48' 8")
Transport Width	2870mm (9' 4")
Transport Height	3831mm (12' 7")
Working Length	14600mm (47' 9")
Working Width	2800mm (9' 2")
Working Height	4500mm (14' 7")
Weight	47,000kg 105,280lbs
<b>ENGINE DETAILS</b>	
Engine	CAT C-13 Diesel Engine - 328kW / 430hp

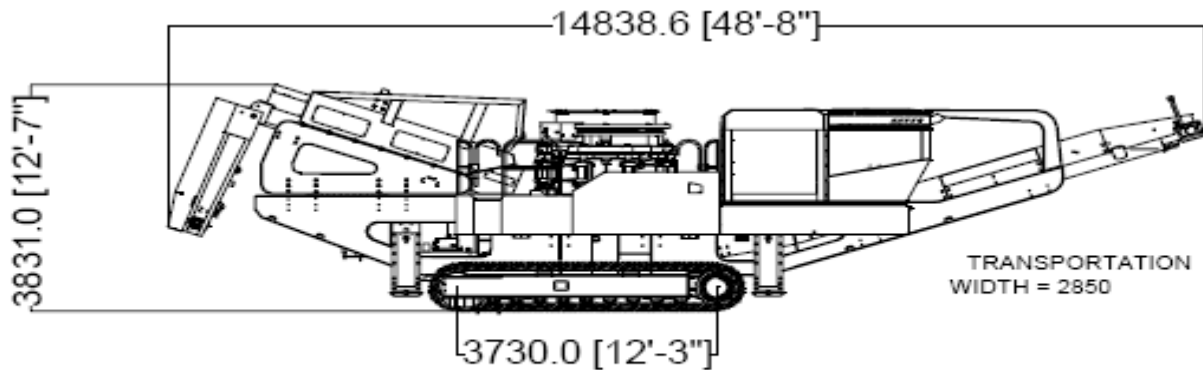
FUEL CONSUMPTION GUIDE	
Engine	Caterpillar C-13 Industrial C 430bhp
Engine Maximum Power	320kW (430bhp) @ 1900rpm
Fuel Tank Capacity	475 litres
Hydraulic Tank Capacity	1200 litres
100 % - Full load, continuous	83.8 litres / hour
75% load	62.8 litres / hour
50 % load	41.8 litres / hour

# X44 Cone Noise Levels



The above diagram indicates the measured noise levels at a measured distance. i.e. 7 m - 85 dB indicates that at 7 meters the sound measured was 85 decibels. The readings were measured using a Castle GA101/701 meter with a calibration date of 20/06/06 and with all systems running situated on the factory assembly line.

The product and local conditions will affect the noise levels.



1: X44 Cone Crusher Transport Dimensions